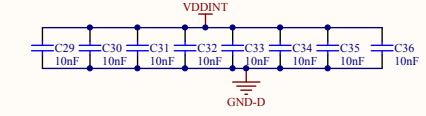
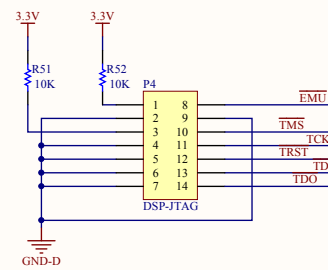
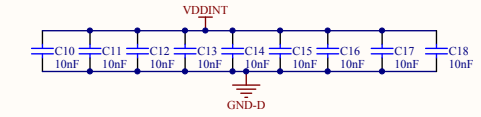
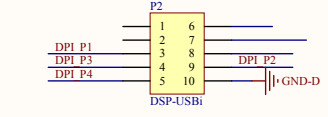
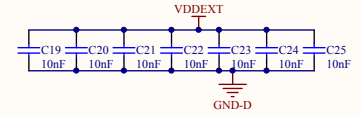
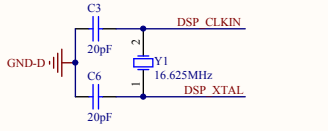
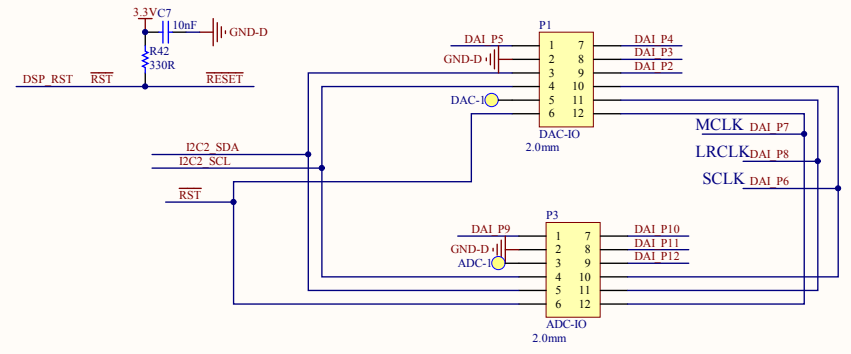
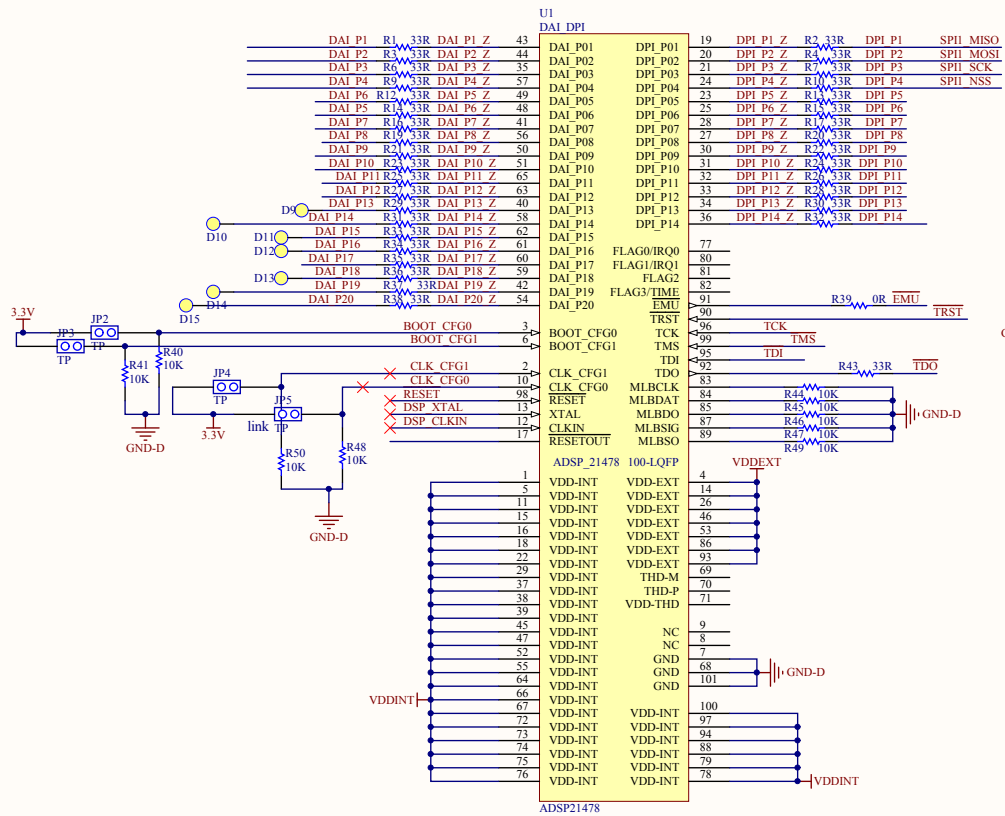


A

B

C

D



Title		
Size	Number	Revision
A3		
Date:	2016/4/3	Sheet of
File:	G:_Sheet1.SchDoc	Drawn By: